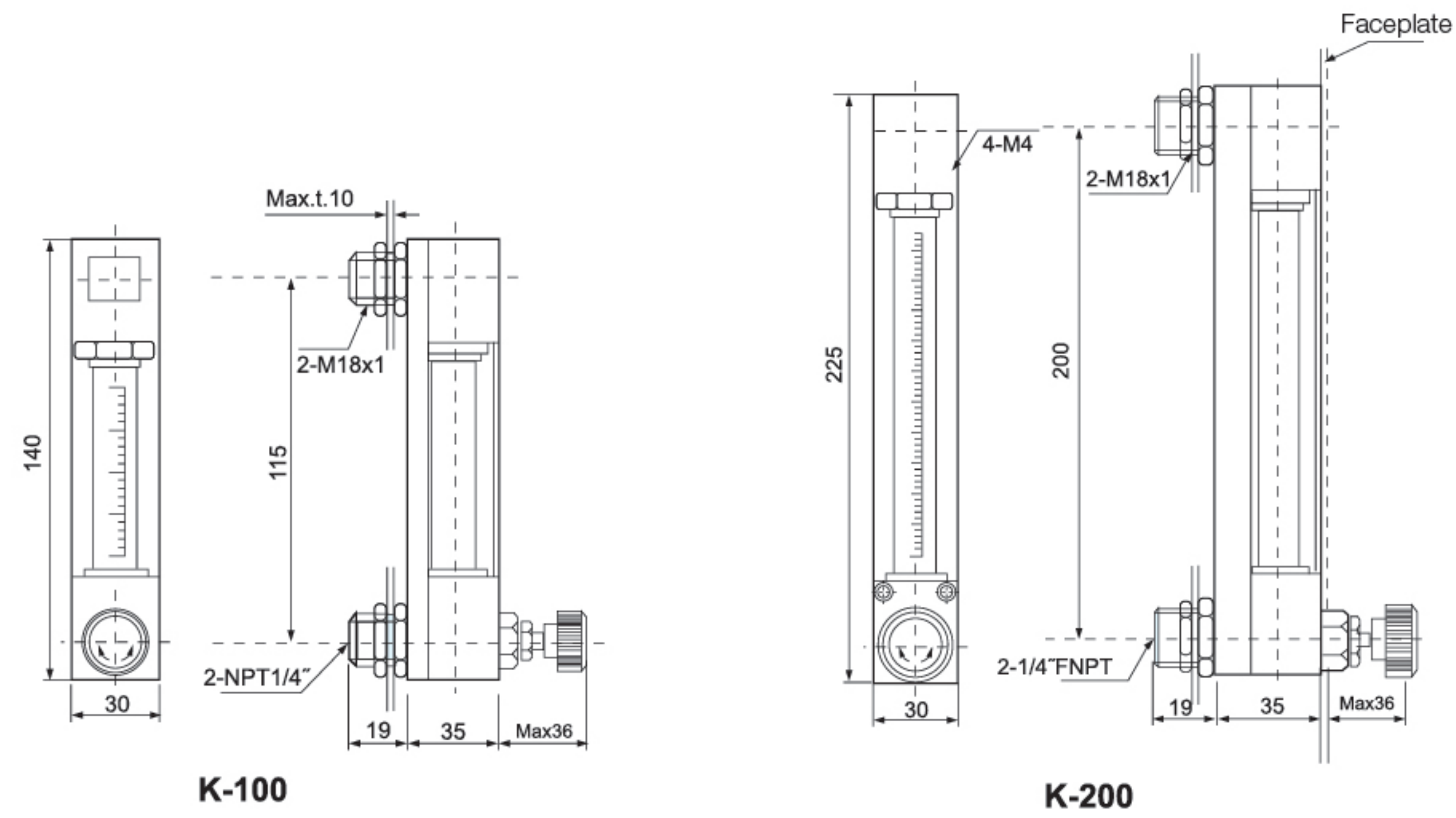


# The Series K100/K200

# Glass Rotameter

For micro flow measurement, 304 stainless steel wetted material, aluminum alloy housing



The Series K100/K200 Glass Rotameter is a variable area flowmeter. Its measuring tube is made of transparent glass. When fluid flows through the tube, the float suspends under the action of hydrodynamic force and its own gravity. The greater the fluid flow rate, the higher the float rises. The flow value can be directly read from the float's position. With excellent chemical compatibility, it becomes a preferred tool for laboratory, food & pharmaceutical, and small-to-medium flow measurement applications. Its lightweight design and easy-to-observe features make it particularly advantageous in scenarios requiring visual operation.

SPECIFICATIONS	
<b>Service</b>	Compatible liquids or gases
<b>Material</b>	The wetted material is 304 stainless steel, and the housing is aluminum alloy
<b>Accuracy</b>	±2.5%
<b>Temperature Rating</b>	≤100°C
<b>Pressure Rating</b>	≤0.6MPa
<b>Connection</b>	Multiple connection methods are available

## FEATURES

- High measurement accuracy
- The float rotates only with the fluid flow, featuring no mechanical wear, low maintenance costs, and a long service life. Lightweight and cost-effective
- Provides an economical solution for flow measurement
- Vertical installation without straight pipe sections
- Allows direct observation of fluid status and float position for easy reading

## APPLICATIONS

- Pharmaceutical Industry
- Semiconductor Industry
- Food and Beverage Industry
- Urban Water Supply and Drainage
- Environmental Protection
- New Energy Industry
- Scientific research institution

## Specifications

Model	Liquid (mL/min)	Gas (NL/min)	Female thread	Weight (kg)
K-1011	20-200	0.3-3	1/8"NPT *	0.5
K-1012	30-300	0.5-5	1/4" NPT	
K-1013	50-500	1-10	1/4"NPT	
K-1014	0.1-1 L/min	2-20	1/4"BST	
K-2011	20-200	0.3-3	1/8"NPT *	
K-2012	30-300	0.5-5	1/4" NPT	
K-2013	50-500	1-10	1/4"NPT	
K-2014	0.1-1 L/min	2-20	1/4"BST	

\*Special-made

## MODEL CHART

Example	K-1011 -20mL/min-200mL/min			-L	-S	-a		
<b>Series</b>	The Series K100/K200							Glass Rotameter
<b>Model</b>	K-1011						Please refer to the technical specification, outline dimension	
	K-1012						Please refer to the technical specification, outline dimension	
	K-1013						Please refer to the technical specification, outline dimension	
	K-1014						Please refer to the technical specification, outline dimension	
	K-1015						Please refer to the technical specification, outline dimension	
	K-2011						Please refer to the technical specification, outline dimension	
	K-2012						Please refer to the technical specification, outline dimension	
	K-2013						Please refer to the technical specification, outline dimension	
<b>Flow Range</b>	XXXXXXXX						Select the range in the technical specification table, e.g., "20mL/min-200mL/min"	
<b>Medium</b>				A			Gas	
				L			Liquid	
<b>Connection Material</b>					S		304 stainless steel	
					B		316 stainless steel	
<b>Connection</b>						a	1/8"NPT	
						b	1/4"NPT	
						c	1/4"BSP	